

F3E Clip-on Ultrasonic Flowmeter

Power and Communication Over Ethernet



Gentos Measurement & Control Co., Ltd.

12/F, Block A5, Nanshan Ipark, No.1001 College Rd.
Nanshan District, Shenzhen CHINA

Tel: 86-755-2674 5999 ext.8036

Fax: 86-755-26745333

E-mail: tanya@gentos.com.cn

Find our website with Google search: www.pflowmeters.com

Product Overview



POE switch(optional)

Gentos quick measure ultrasonic flowmeter F3E adopts the measurement principle of transit time method. Combined with Gentos ultrasonic signal processing technology and unique flow algorithm, fluid flow in the pipeline can be accurately measured. The product is an all-in-one and clip-on structure design, which is simple and convenient to install. According to the product manual, it can be powered on and measured by the four-step operation. The installation process requires no contact with fluid media and no need to shut down. The instrument adopts POE power supply and Ethernet communication to realize cloud data storage. Users can manage, analyze and monitor measurement data information by access cloud data through mobile terminals and PC terminals whenever and wherever.

Product Features and Functions

Features

- Easy to install,without break pipe
- Easily clip on
- LCD color display
- Screen display in 4 directions rotating
- POE cable power supply, safe & convenient

Functions

- Flow Control and Monitoring
- Total traffic calculation
- Water distribution
- Leak monitoring
- Ethernet communication

Application and Industry

Air conditioner, washing machine, tap water, modern agricultural irrigation, garden irrigation, water for production process, industrial circulating water, reclaimed water, pure water/ultra pure water, bathing industry, swimming pool, laundry industry,aquaculture,fish farm...

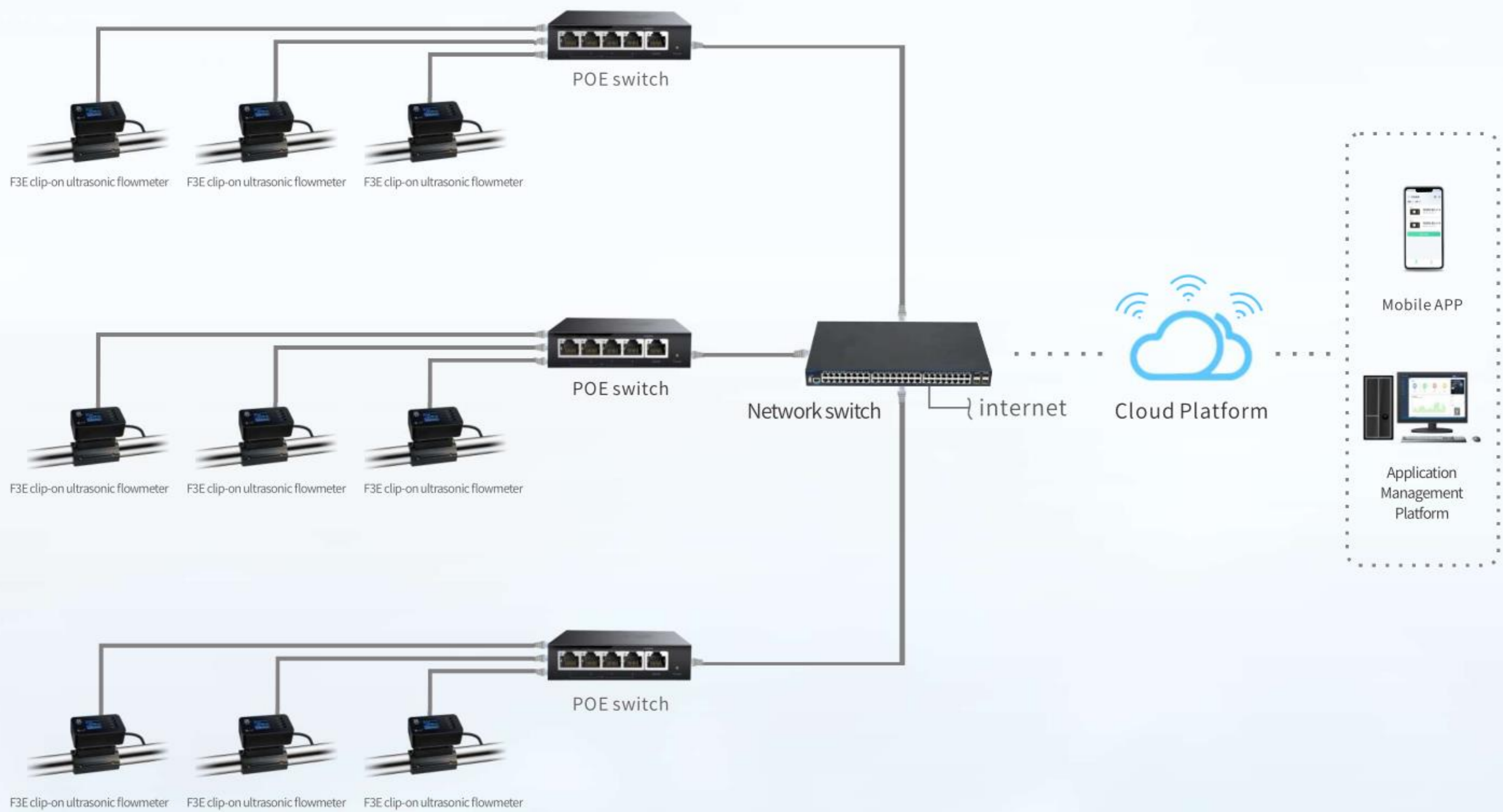


Application Topology

The F3E meter is connected to the POE switch through a network cable, and then the POE switch is connected to the Internet through a router. The meter flow data is uploaded to the cloud server via the Internet. The APP software can be used to access cloud data and operate through mobile terminals and PC terminals.

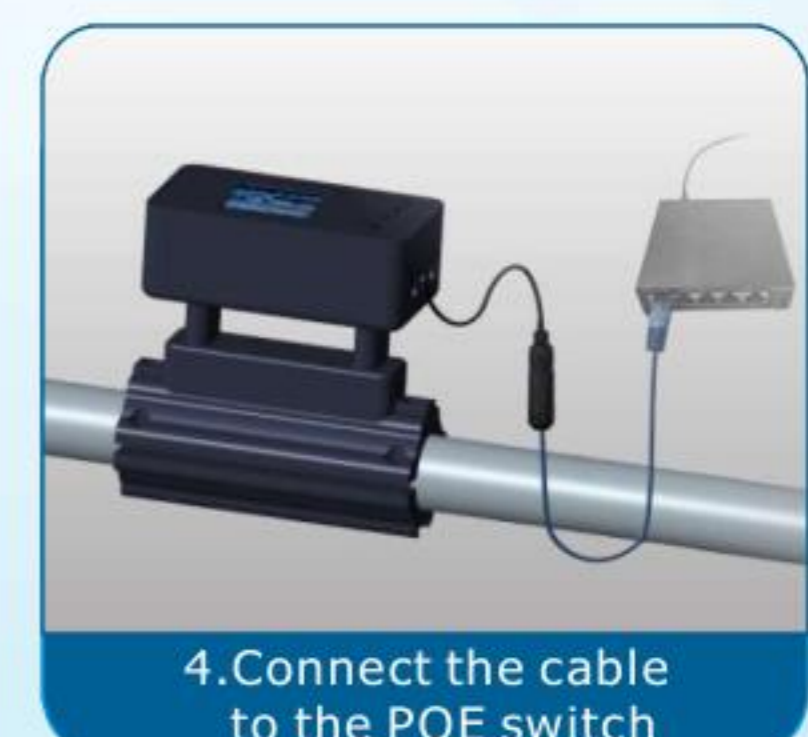
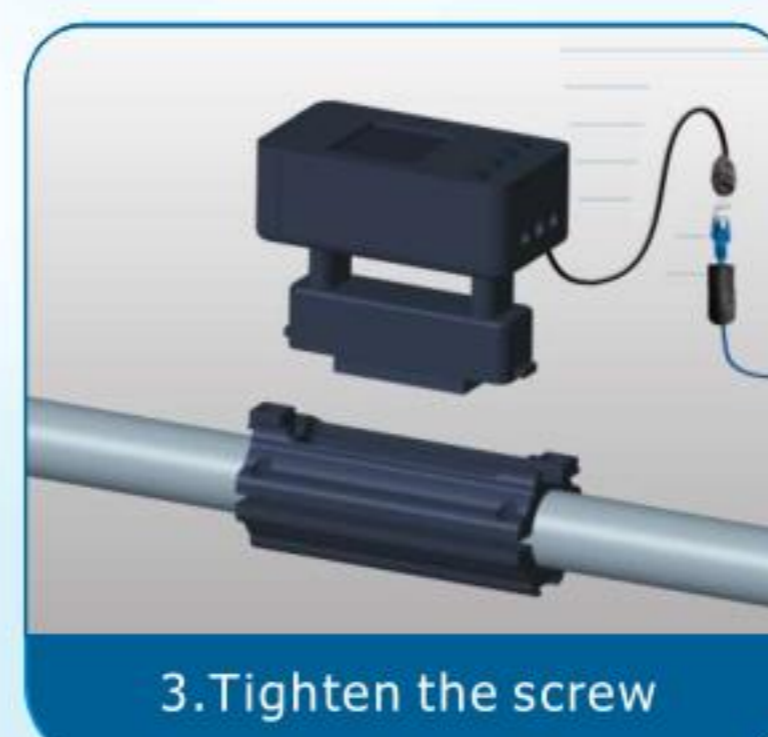
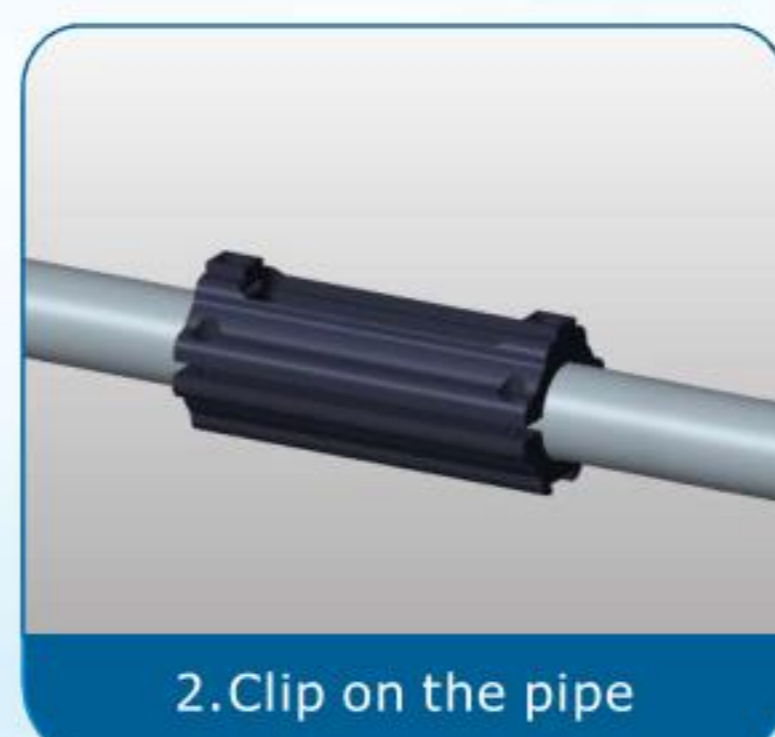
Connect the F3E to an RJ45 (POE) which is connected to the network through a network cable and the F3E should be power-on. Android phone users can scan the QR code of the APP, and install it's software according to the prompts.

Notice: Scan the QR code to add the APP, the new version of app will support the renewal prompt function.



Installation Method

All-in-one design, easy to install
No need to break pipe or shut down,
Simple setting and Clip-on for measurement.



Product Model

Format of choosing Model: F3E; Format: A-B

MODEL

F3E Series

Transmitter description

Model Name: F3E Clip-on Ultrasonic Flowmeter	Pipe material: carbon steel, stainless steel, copper, PVC
Velocity range: 0.03~5m/s	Transmitter installation temperature: -10°C~50°C
Accuracy: ±2% (0.3~5.0m/s)	Transducer measurement medium: 0°C~60°C
Repeatability: 0.2%	Humidity: 0~99% RH, non-condensing
Keyboard: 4 touch keys	Cable: POE waterproof pigtail, standard length: 0.8m
Display: 1.44" LCD color screen	Power supply: POE network cable power supply
Installation method: clamp-on, screw fastening	Protection Rate: IP54
Power consumption: 5W (depending on function)	Communication: Ethernet

SPECIFICATIONS

A

Pipe OD Range

Pipe Size

Unit:mm Pipe material (PVC, Carbon Steel, Stainless Steel)

DN20(21~29),DN25(28~36),DN32(35~43),DN40(46~54),DN50(59~67),DN65(72~80),DN80(83~91)

Unit:mm Pipe material (Copper)

DN20(21~29),DN25(21~29),DN32(28~36),DN40(35~43),DN50(46~54),DN65(59~67),DN80(72~80)

B

1

2

3

4

Pipe Material(optional)

Carbon Steel

Stainless Steel

Copper

PVC

Selection example: Model: F3E; Specification: DN20-1

For example: {Model: F3E; Specification: DN20, Carbon Steel}

* POE switch is not included.

Product Series

Accuracy Rate 0.2

D118 High Dynamic response

D348D Plus Multipath

...

Accuracy Rate 0.5

D118i Insertion

D118i Portable

D118 Insertion/Clamp on

...

Accuracy Rate 1.0

D116 Insertion/Clamp on

...

For HAVC

F5 wall mounted meter

F8 wall mounted meter

E5 wall mounted energy meter

E8 wall mounted energy meter

...

Clip-on Series

E3 Clip-on energy meter

F2 Clip-on flow meter

F3E Clip-on flow meter

...

Gentos Measurement & Control Co., Ltd.

12/F, Block A5, Nanshan Ipark, No.1001 College Rd.

Nanshan District, Shenzhen CHINA

Tel: 86-755-2674 5999 ext.8036

Fax: 86-755-26745333

E-mail: tanya@gentos.com.cn

Find our website with Google search: www.pflowmeters.com

The final interpretation right of this information belongs to Gentos Measurement and Control Co.,Ltd., if there is any change without notice!